

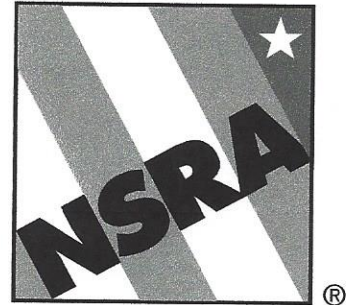
## VEHICLE SAFETY INSPECTION REQUIREMENTS 2019

MSRA and NSRA both feel that safe vehicles are a very important part of the street rodding sport. Because of this, both associations use the NSRA Safety Inspection sticker as a requirement for consideration of many awards. In MSRA, you must have a current NSRA safety sticker to be eligible for rod or custom of the year. If you have any questions about the NSRA Safety program, please contact your NSRA Safety rep.

The National Street Rod Association® vehicle safety inspection may be voided by modifications or deterioration of any system components. A new inspection can be requested at any time and is recommended if modifications are made to the vehicle or any of its components. Certification sticker is not transferable.

Completion of the NSRA vehicle inspection warrants only that the vehicle complies with equipment requirements recommended by the National Street Rod Association®. The National Street Rod Association® vehicle safety inspection is only advisory and is not to be construed as an official legal clearance, and the National Street Rod Association®, its employees, officers, delegates, agents, or anyone assisting the Association assumes no responsibility for this advisory clearance.

All requests for safety division assistance should be directed to your division Chief Inspector.



### Requirements

*The 16 items that follow are REQUIRED. If the vehicle being inspected satisfies all of the items outlined below, an annual NSRA Safety Inspection Verification Sticker will be affixed to the vehicle's windshield by the NSRA State Inspector. This annual inspection certification sticker will be honored through May of the following year.*

**HORN.** An electrically operated horn which can be heard at a distance of at least 200-feet in front of the vehicle is required. A switch (horn button) used to engage the horn must be easily accessible to the driver when operating the vehicle.

**SPEED INDICATOR.** A working speedometer or tachometer is required. If a tachometer is used, a mark indicating 55-mph is required.

**REAR VIEW MIRROR.** One required on either inside of vehicle, or outside on driver's side. Mirror must be securely mounted with no cracks.

**GLASS.** Safety plate, Lexon, or tempered glass required. No cracks which interfere with the driver's vision or allow one piece of glass to be removed. No exposed sharp edges allowed. No stone chips larger than 1-inch in diameter.

All openings designed for glass must have glass installed unless vehicle is modified to eliminate window openings.

If vehicle doesn't have identification markings on glass (AS-2, safety plate, etc.), use an object such as a pencil to check for a double image. Plexiglass not allowed.

**LIGHTING.** Two headlights required. All headlights must be equipped with two position dimmer switch which will lower and raise the candle power of the headlights. Rheostat type switch allowed.

Vehicle must be equipped with a tail light, brake light and a license plate light which illuminates the license plate.

Two tail lights and two brake lights are recommended.

**WINDSHIELD WIPER.** Vehicle must be equipped with at least one electric or vacuum operated wiper located in front of driver. Hand operated wiper is not acceptable.

Clamp on electric wiper is acceptable on open vehicles only if wiring and clamp mechanism are well engineered. Clamp on wiper not allowed on convertibles with folding tops and closed vehicles. Wiper assembly may be installed in removable top.

Suction cups and magnetic devices not allowed.

Wiper arm and blade must be installed at time of inspection. Blade cannot be damaged.

**AUTOMATIC TRANSMISSION LOCKOUT.** Vehicles equipped with an automatic transmission must be equipped with a neutral safety switch which allows the vehicle to start in either neutral and/or park only.

**TIRES.** D.O.T. marking required. Must have 3/32-inch minimum tread depth. Should not rub body or frame of vehicle. No side wall cuts, cracks, or tread cuts which expose tire cord. Slicks not allowed.

**STEERING.** Two-inch play in steering wheel allowed. Three-inches of play allowed in vehicles equipped with a flexible steering coupler (rag joint). The steering box and column must be mounted in a manner that allows only minimum flex or movement of the steering box or column when pressure is applied to the system. The steering system cannot have any bind in it or come in contact with tires, headers, radius rods, etc when turned to the entire right or left.

Unconventional steering components are not allowed (example: chain drive, sprockets, electrical solenoids, etc.). Steering components must be produced for automotive use.

**THROTTLE LINKAGE.** Vehicle must be equipped with an accelerator control system which returns the vehicle's throttle to an idle position when the driver removes the actuating force (generally the foot) from the accelerator (gas

pedal). Check to make sure the linkage does not travel past center of the carburetor in a fully depressed position.

Accelerator pedal and linkage must be securely attached.

Check so there are no obstructions that would cause the accelerator pedal to stick in the open position. If the vehicle is equipped with cruise control, the device cannot interfere with the normal operation of the throttle linkage. Dual return spring recommended.

**FUEL SYSTEM.** No leaks allowed.

If fuel tank is located in trunk or interior of vehicle, the tank must be vented to the outside of the vehicle, and have a sealed inlet (filler) pipe.

Check venting of fuel tanks on T-buckets which are usually installed in the bed area along with the battery.

Clear plastic fuel lines not allowed unless the lines have braid showing through the plastic.

Copper tubing and neoprene allowed.

**EXHAUST SYSTEM.** No leaks allowed.

The system must be mounted in a safe and secure fashion so as not to interfere with the operation of the vehicle.

No part of the exhaust system may pass through the passenger carrying compartment of the vehicle.

Tail pipes cannot end before the rear edge of the front door and must exit exhaust away from vehicle.

**SELF ALIGNING ROD ENDS.** Check for cracks and fractures in housing.

Check for wear, sloppiness, or binding of inserts.

This check will also include checking tie rod ends for fractures and excessive play.

**SHOCK ABSORBERS.** One automotive-type shock absorber per wheel required.

Shocks should have a minimum of two-inches of travel in each direction. Smashed or severely leaking shocks (not slight dampness) are cause for rejection.

If vehicle is depressed, it should stop vertical motion in two cycles.

**BRAKES.** Four wheel hydraulic brakes required.

Dual master cylinder-recommended.

Check brake pedal travel in both directions. Rod to master cylinder must not fall out when pedal is pulled back, and adequate pedal must remain when pedal is depressed.

No leaks. All brake lines must be steel or equivalent. No copper tubing allowed.

Check for damp spots on lower edge of backing plate and on disc rotors.

Check length and condition of flexible brake lines when front wheels are turned to extreme right or left.

All flexible brake hoses must have a bracket installed between the flexible line and the steel line. This bracket must be securely mounted to the body, frame, or another part of the vehicle such as the differential housing.

**SCRUB LINE.** On both the front and rear suspension of the vehicle, stretch a taut string from the bottom of each wheel rim to the bottom of each of the other three tires at the road surface. If any part of the steering, suspension, or chassis is below this string, the vehicle will fail scrub line.

Allow an additional 1/4-inch assuming the tire will not come off the rim if the tire should go flat. Items exempt from scrub line check will include body sheet metal, bumpers, exhaust system, oil and transmission pan.

*The 7 items that follow are RECOMMENDED. If the vehicle being inspected satisfies all of the items outlined above and all of those that follow, a 'SAFETY 23' pin will be awarded to the vehicle owner in addition to the NSRA Safety Inspection Vehicle Sticker.*

**WINDSHIELD.** Must be safety plate. AS-1 recommended.

**SHIFT PATTERN.** Shift pattern must be visible within area of shift lever. A permanently attached plate is recommended. Masking tape or equivalent not allowed. Not required on 3-speed manual transmission equipped vehicles.

**FUEL LINES.** Should be safely mounted and routed. If the fuel lines need an additional clamp or can be moved without any major problem, the vehicle will pass. However, if any fuel line is leaking or is mounted in such a manner that it comes in contact with the exhaust system or any moving part of the vehicle and cannot be moved, the vehicle will fail.

**PARKING BRAKE.** Place vehicle in drive or slip clutch. Parking brake should keep the vehicle from moving at engine idle.

Line Loc is not recommended because it uses the primary braking and electrical systems.

**SELF ALIGNING ROD ENDS.** All rod end bearings that have any misalignment should have 1/8 to 1/4-inch spacer on each side of the ball.

Misalignment should not exceed 10 degrees.

Rod ends and 4-bar parallel radius rod system rubber bushed rod ends should have a safety washer at least the same outside diameter as the housing or larger.

**BRAKE LINES.** Should be safely mounted and routed.

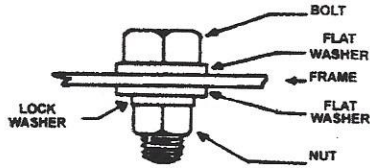
If the brake lines need an additional clamp or can be moved without a major problem, the vehicle will pass. If the brake line is leaking, crushed, or mounted in such a manner that it comes in contact with the exhaust system or any other moving part of the vehicle and cannot be moved, the vehicle will fail inspection.

**CHASSIS FASTENERS.** All chassis fasteners should have some type of locking device (lockwashers, cotter pins, self-locking nuts, or safety wire) installed. A minimum of at least one thread should be exposed. If Ny-Loks are used, thread should pass through the plastic and be exposed. Loctite not accepted because it is impossible to prove it has been used.

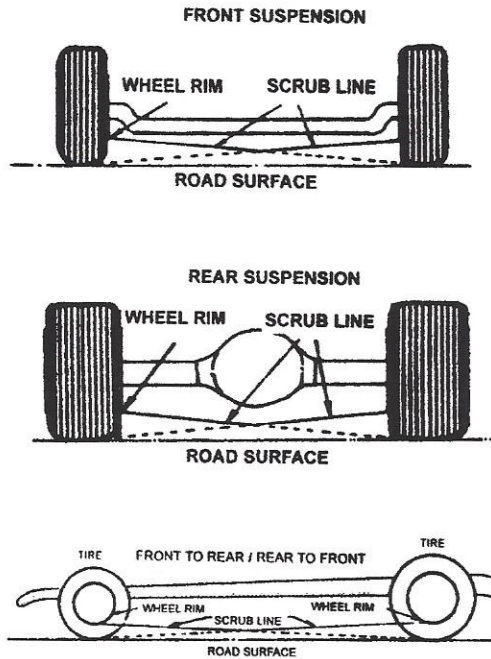
*The following items are not part of the NSRA Inspection Program, but should be considered for your safety:*

Fire extinguisher (in driver/passenger compartment).  
seat belts, third brake light, dual master cylinder.

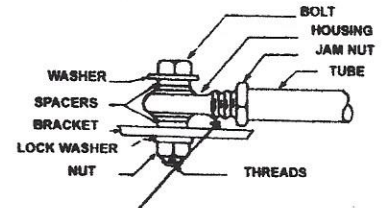
### RECOMMENDED CHASSIS FASTENER



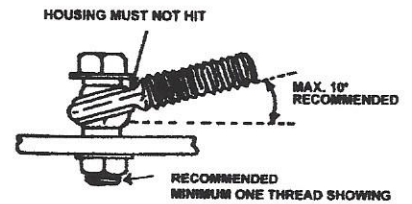
### SCRUB LINE CHECK



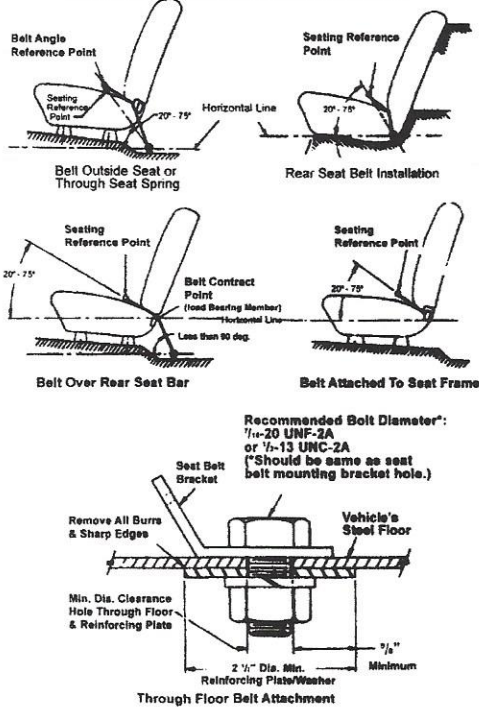
### RECOMMENDED ROD END INSTALLATION



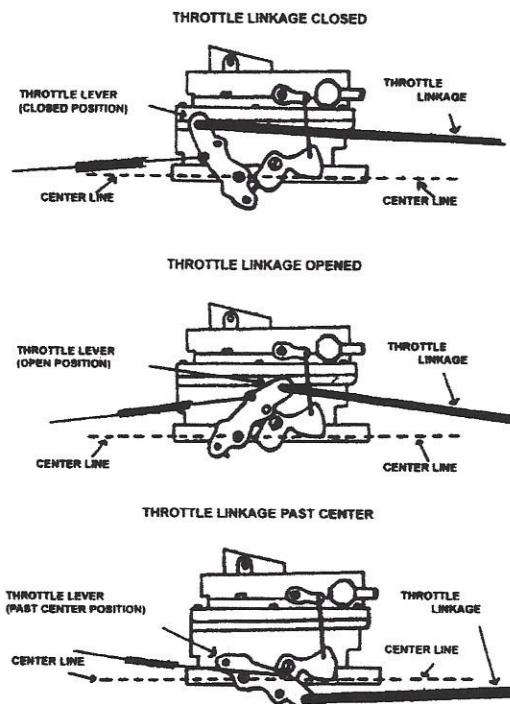
**IMPORTANT:** If a 3/4 inch rod end is used, there should be no more than 3/4 inch of thread showing on shank of rod end.  
Sample applies to 1/2" and 5/8" rod ends.  
Size of rod ends dictates length of thread showing.



### SEAT BELT INSTALLATION DIAGRAM



### THROTTLE LINKAGE DIAGRAM



### FLEXIBLE BRAKE LINE BRACKET DIAGRAM

